

ADVERTISEMENT OF BIDS

Sealed bids for the Manhole Lining Project will be received by the City of Greenville, Illinois until 2:00 pm on Wednesday, April 22, 2026 at City Hall, 404 South Third Street, Greenville, Illinois. Bids will be publicly opened and read aloud at that time. Interested parties should submit a completed Bid Form by that time.

Copies of Specifications or Other Contract Documents may be examined on our website, www.greenvilleillinois.com or requested by contacting Greenville City Hall.

Greenville Municipal Building
404 S Third Street
Greenville, IL 62246
M-F; 7:00 am – 4:00 pm
618-664-1644

Specific questions should be directed to Briar Weiss at 618-855-3503 or bweiss@greenvilleillinois.com.

No bid may be withdrawn within 60 days after the scheduled closing time of receipt of Bids.

The City of Greenville reserves the right to reject any and all Bids, and to waive irregularities in the Bids. If an award is made it will be made to the lowest, responsive, and responsible bidder.

The work consists of furnishing of all labor, materials, and equipment necessary for the rehabilitation of 6 manholes with “stress skin” panel polymer surface liner system within the City of Greenville described as:

Section No. 2, Manhole No. 16
Section No. 2, Manhole No. 17
Section No. 2, Manhole No. 18
Section No. 2, Manhole No. 19
Section No. 8, Manhole No. 7
Section No. 17, Manhole No. 5

SECTION No. 2

MANHOLE No. 16

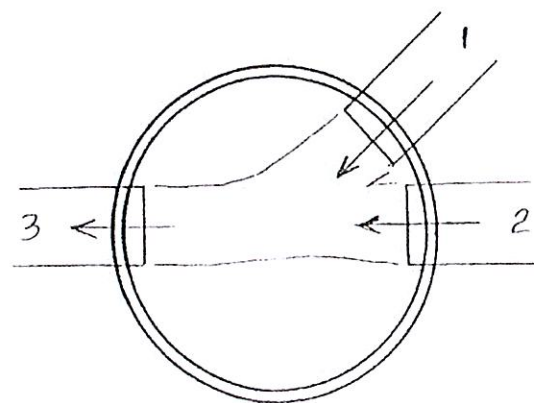
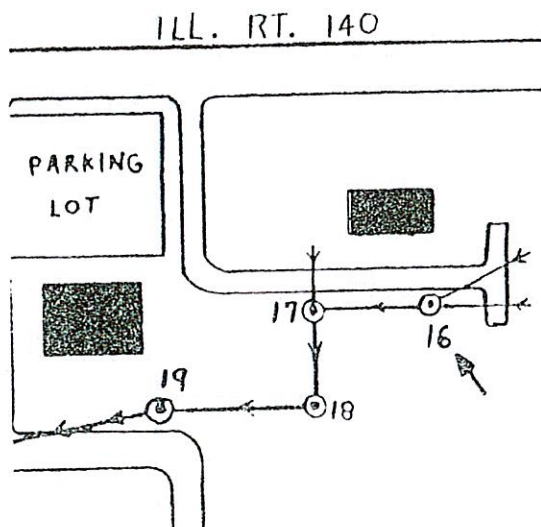
LOCATION: ALONG SOUTH SIDE OF PRIVATE

DRIVE JUST EAST OF HIGH SCHOOL

	LINE SIZE	- TYPE	INVERT FROM RIM	NOTES
No. 1	<u>8"</u>	<u>PVC</u>	<u>3'9"</u>	
No. 2	<u>8"</u>	<u>PVC</u>	<u>3'9"</u>	
No. 3	<u>8"</u>	<u>PVC</u>	<u>3'9"</u>	
No. 4				
No. 5				
No. 6				

DETAILS

ARROWS INDICATE
DIRECTION OF FLOW



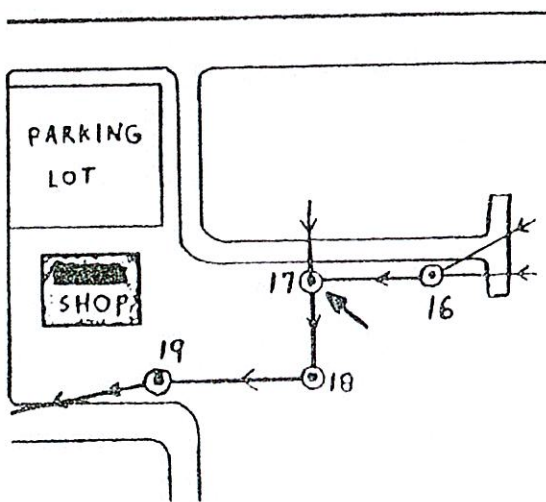
SECTION No. 2

MANHOLE No. 17

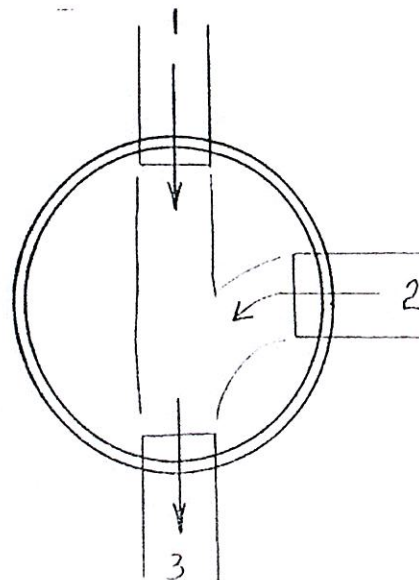
LOCATION: ON SOUTH SIDE OF PRIVATE DRIVE
104' WEST OF MH #16

	LINE SIZE	- TYPE	INVERT FROM RIM	NOTES
No. 1	<u>8"</u>	<u>PVC</u>	<u>3'5"</u>	
No. 2	<u>8"</u>	<u>PVC</u>	<u>3'6"</u>	
No. 3	<u>8"</u>	<u>PVC</u>	<u>3'9"</u>	
No. 4				
No. 5				
No. 6				

DETAILS



ARROWS INDICATE DIRECTION OF FLOW



SECTION No. 2

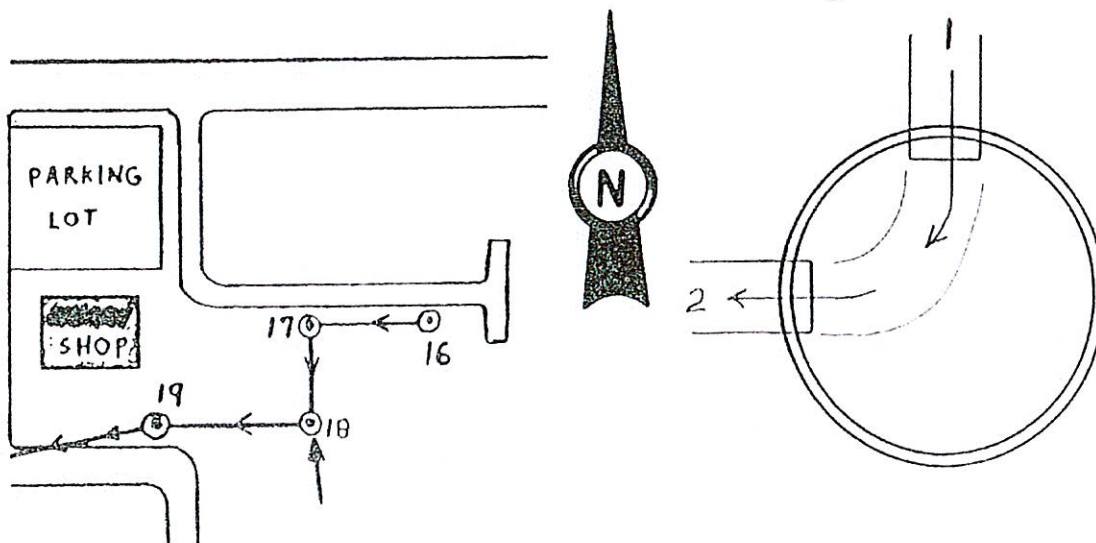
MANHOLE No. 18

LOCATION: IN GRASS 127' SOUTH OF MH #17
AND 141' EAST OF MH #19

	LINE SIZE	- TYPE	INVERT FROM RIM	NOTES
No. 1	<u>8"</u>	<u>PVC</u>	<u>3' 9"</u>	
No. 2	<u>8"</u>	<u>PVC</u>	<u>4'</u>	
No. 3				
No. 4				
No. 5				
No. 6				

DETAILS

ARROWS INDICATE
DIRECTION OF FLOW



SECTION No. 2

MANHOLE No. 19

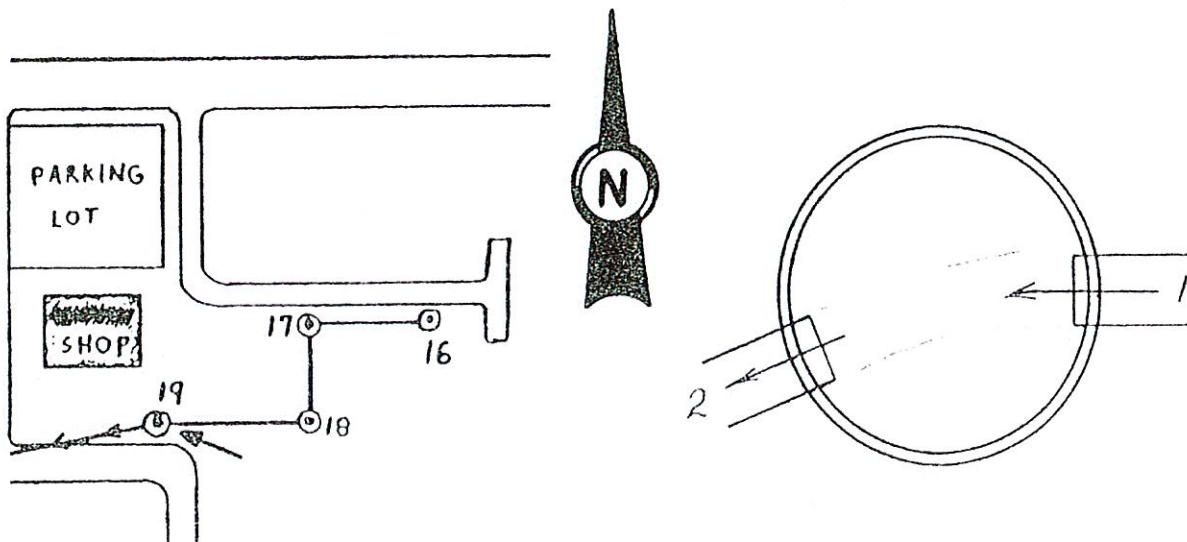
LOCATION: SOUTHEAST CORNER OF HIGH SCHOOL

GROUNDS NEXT TO AUTO SHOP

	LINE SIZE - TYPE	INVERT FROM RIM	NOTES
No. 1	<u>8" PVC</u>	<u>5'</u>	<u>RIM IS 19'</u>
No. 2	<u>8" PVC</u>	<u>5'</u>	<u>ABOVE GROUND LEVEL</u>
No. 3	<u> </u>	<u> </u>	<u> </u>
No. 4	<u> </u>	<u> </u>	<u> </u>
No. 5	<u> </u>	<u> </u>	<u>RISER IS PAINTED</u>
No. 6	<u> </u>	<u> </u>	<u>GREEN</u>

DETAILS

ARROWS INDICATE DIRECTION OF FLOW



SECTION No. 8

MANHOLE No. 7

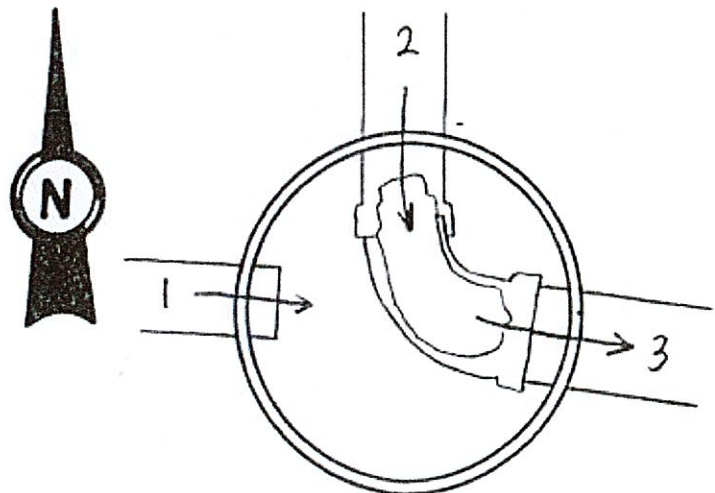
LOCATION: ALONG WEST SIDE OF N. WYATT ST.

127' SOUTH OF MH #6

	LINE SIZE	- TYPE	INVERT FROM RIM	NOTES
No. 1	<u>6"</u>	<u>TILE</u>	<u>3' 8"</u>	<u>HOUSE SERVICE</u>
No. 2	<u>8"</u>	<u>TILE</u>	<u>11' 10"</u>	
No. 3	<u>8"</u>	<u>TILE</u>	<u>11' 10"</u>	
No. 4				
No. 5				
No. 6				

DETAILS

ARROWS INDICATE
DIRECTION OF FLOW



SECTION No. 17

MANHOLE No. 5

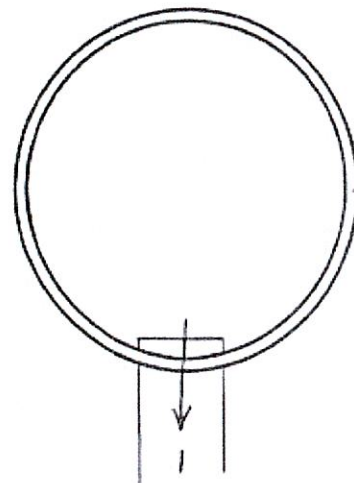
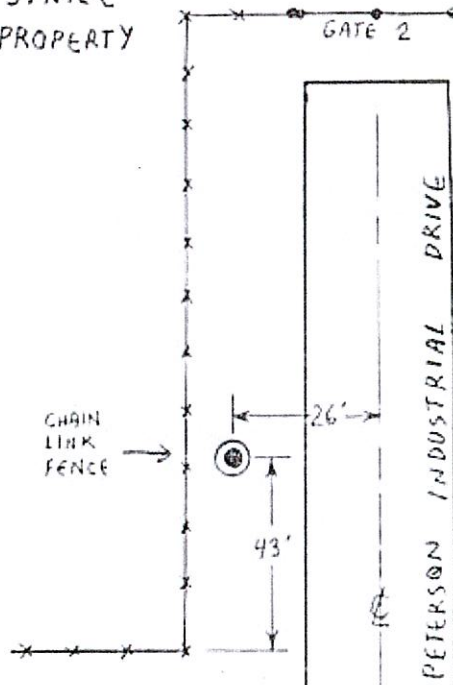
LOCATION: ALONG WEST SIDE OF PETERSON INDUSTRIAL
DRIVE 26' WEST OF ROAD & AND 43' NORTH OF
CORNER OF FENCE

LINE SIZE - TYPE	INVERT FROM RIM	NOTES
No. 1 <u>8" PVC</u>	<u>5'</u>	<u>START OF MAIN</u>
No. 2 _____	_____	<u>273' TO MH #6</u>
No. 3 _____	_____	_____
No. 4 _____	_____	_____
No. 5 _____	_____	_____
No. 6 _____	_____	<u>COVER IS 10" ABOVE GROUND LEVEL</u>

CARLISLE
SYNTEC
PROPERTY

DETAILS

ARROWS INDICATE
DIRECTION OF FLOW



BID FORM

OWNER: City of Greenville

BID FOR: Manhole Lining Project

The undersigned Bidder proposes and agrees, if this Bid is accepted, to enter into an Agreement with Owner in the form included in the Contract Documents to perform all work as specified for the Contract Price and within the Contract Time indicated in this Bid and in accordance with other terms and conditions of the Contract Documents.

Bidder accepts all the terms and conditions of the Advertisement to Bid.

In submitting this Bid, Bidder represents, as more fully set forth in the Agreement that:

- Bidder has examined copies of all Bidding Documents.
- Bidder has examined the site and locality where the work is to be performed, the legal requirements and conditions affecting costs, progress or performance of the work and made such independent investigations as the Bidder deems necessary.
- This Bid is genuine and not made in the interest or on behalf of any undisclosed person, firm or corporation and is not submitted in conformity with any agreement or rules of any group, association, organization or corporation; Bidder has not directly or indirectly induced or solicited any other Bidder to submit a false or sham Bid; Bidder has not solicited or induced any person firm or corporation to refrain from bidding; and Bidder has not sought by collusion to obtain for himself any advantage over any other Bidder or over Owner.
- Bidder has Owner written notice of all conflicts, errors or discrepancies that it has discovered in the Contract Documents and the written resolution thereof by the Owner is acceptable to the Bidder.

Bidder will complete work for the following:

Sanitary Sewer Manhole Lining Project Locations

- Section No. 2, Manhole No. 16
- Section No. 2, Manhole No. 17
- Section No. 2, Manhole No. 18
- Section No. 2, Manhole No. 19
- Section No. 8, Manhole No. 7
- Section No. 17, Manhole No. 5

Lump Sum Contract Price

_____ (words)

\$ _____ (figures)

Specifications: Liner system shall be a "stress skin" panel polymer consisting of three layers with a first barrier coat of polyuria, a surfacing coat of closed-cell urethane foam, and a final barrier coat of polyuria. The system shall have a broad range of chemical resistance and the ability to stop infiltration. The application thickness of the three layer system shall be no less than 500 mils. The manufacturer and applicator shall warrant all work against defects in materials and workmanship for a period of ten (10) years

from the date of final acceptance of the installation. Repairs to defects in materials or workmanship shall be accomplished within a reasonable time after receipt of written notice of said defect. The applicator must have a minimum of three (3) years consecutive experience and be certified by the manufacturer. The product shall have been installed in wastewater structures for a minimum of seven (7) years and be verifiable.

Bidder agrees that the work will be completed within 60 calendar days after the date crops have been harvested. Additional days may be given if necessary due to weather.

Bidder accepts the provision of the Agreement as to liquidated damages in the event of failure to complete the Work on time.

The following documents are attached to and made a condition of this Bid:

Required Bid Security in the form of: None Required

Communications concerning this Bid shall be addressed to the address of Bidder indicated below.

Submitted on _____, 2026

BY: _____

DOING BUSINESS AS: _____

ADDRESS: _____

PHONE NUMBER: _____